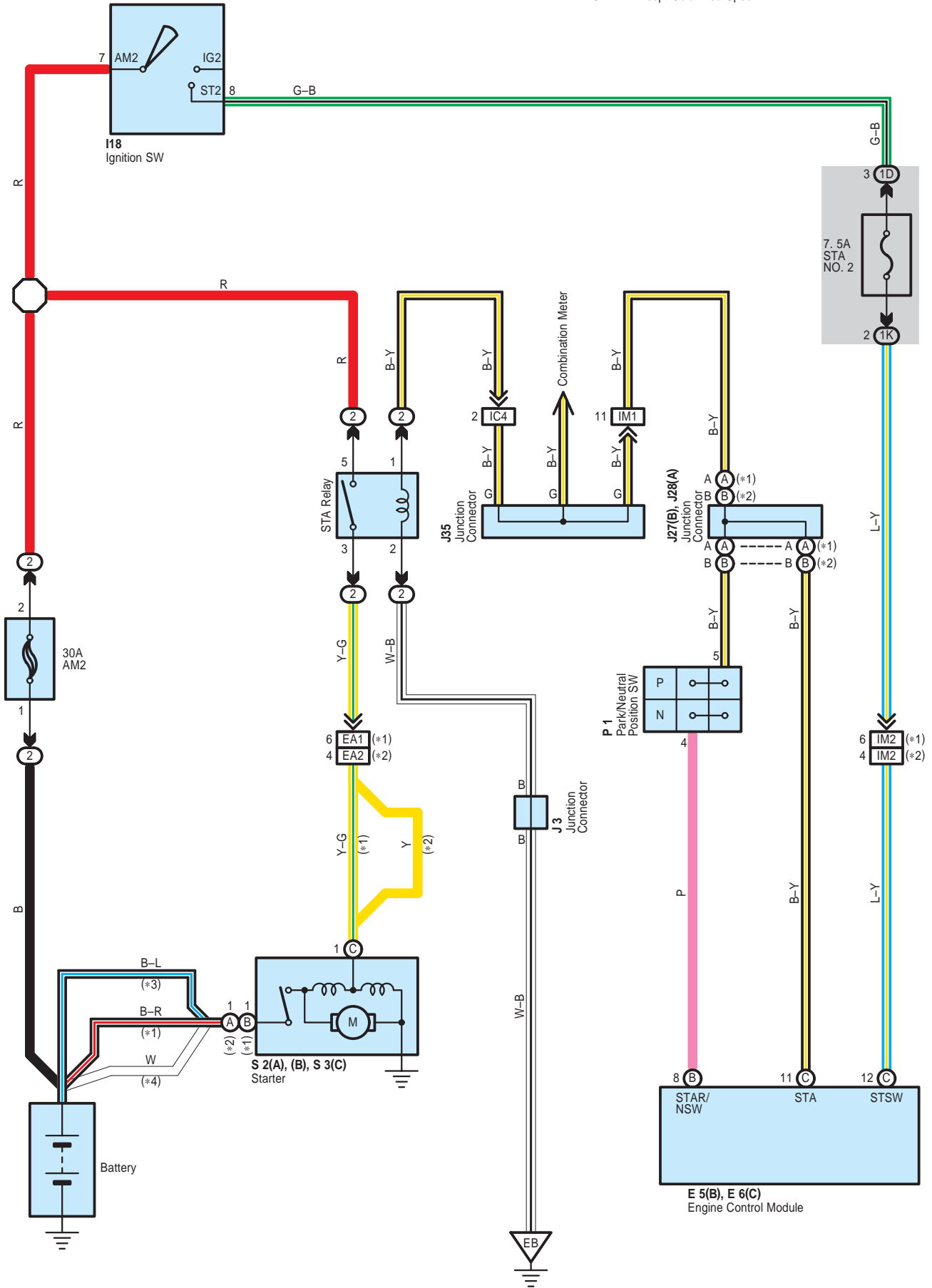


- \* 1 : 2UZ-FE
- \* 2 : 1GR-FE
- \* 3 : 1GR-FE Cold Area Spec.
- \* 4 : 1GR-FE Except Cold Area Spec.



 : **Parts Location**

Code		See Page	Code		See Page	Code		See Page
E5	B	37	J27	B	38	S2	A	35 (1GR-FE)
E6	C	37	J28	A	38		B	33 (2UZ-FE)
I18		37	J35		38	S3	C	33 (2UZ-FE)
J3	33 (2UZ-FE)		P1		33 (2UZ-FE)			35 (1GR-FE)
	35 (1GR-FE)				35 (1GR-FE)			

 : **Relay Blocks**

Code	See Page	Relay Blocks (Relay Block Location)
2	22	Engine Room R/B (Engine Compartment Left)

 : **Junction Block and Wire Harness Connector**

Code	See Page	Junction Block and Wire Harness (Connector Location)
1D	24	Engine Room Main Wire and Driver Side J/B (Lower Finish Panel)
1K	25	Instrument Panel Wire and Driver Side J/B (Lower Finish Panel)

 : **Connector Joining Wire Harness and Wire Harness**

Code	See Page	Joining Wire Harness and Wire Harness (Connector Location)
EA1	44 (2UZ-FE)	Engine No.2 Wire and Engine Room Main Wire (Under the Engine Room R/B)
EA2	45 (1GR-FE)	
IC4	46	Instrument Panel Wire and Engine Room Main Wire (Left Kick Panel)
IM1	47	Engine Wire and Instrument Panel Wire (Right Side of Blower Unit)
IM2		

 : **Ground Points**

Code	See Page	Ground Points Location
EB	44 (2UZ-FE)	Front Left Fender
	45 (1GR-FE)	