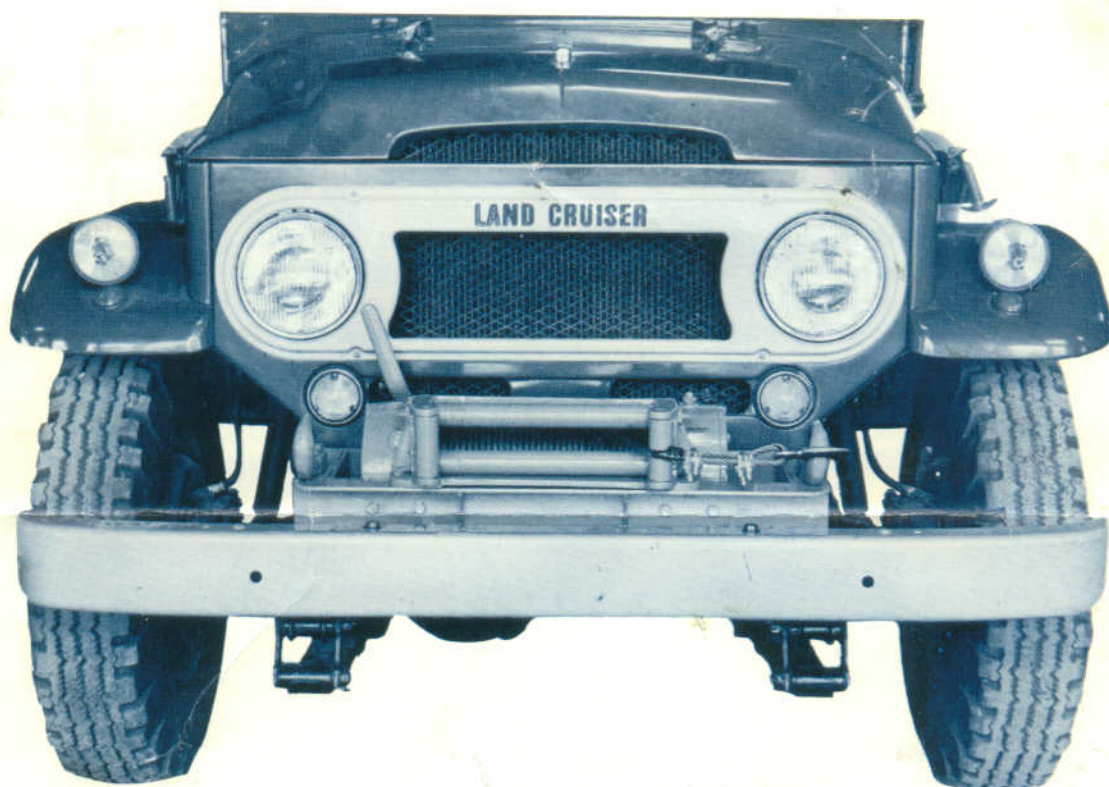




# FRONT MOUNT WINCH KITS

for  
**Toyota Land Cruiser**



### MODEL 200R-246

For Model FJ-40 before Frame No. 18301, and  
Model FJ-45 before Frame No. 13301.

### MODEL 200R-297

For Model FJ-40 after Frame No. 18301, and  
Model FJ-45 after Frame No. 13301.

## Safe Working Load 8,000 lbs.

Kit includes all necessary parts, including power take-off, four-way cable roller,  
drive parts and installation instruction.

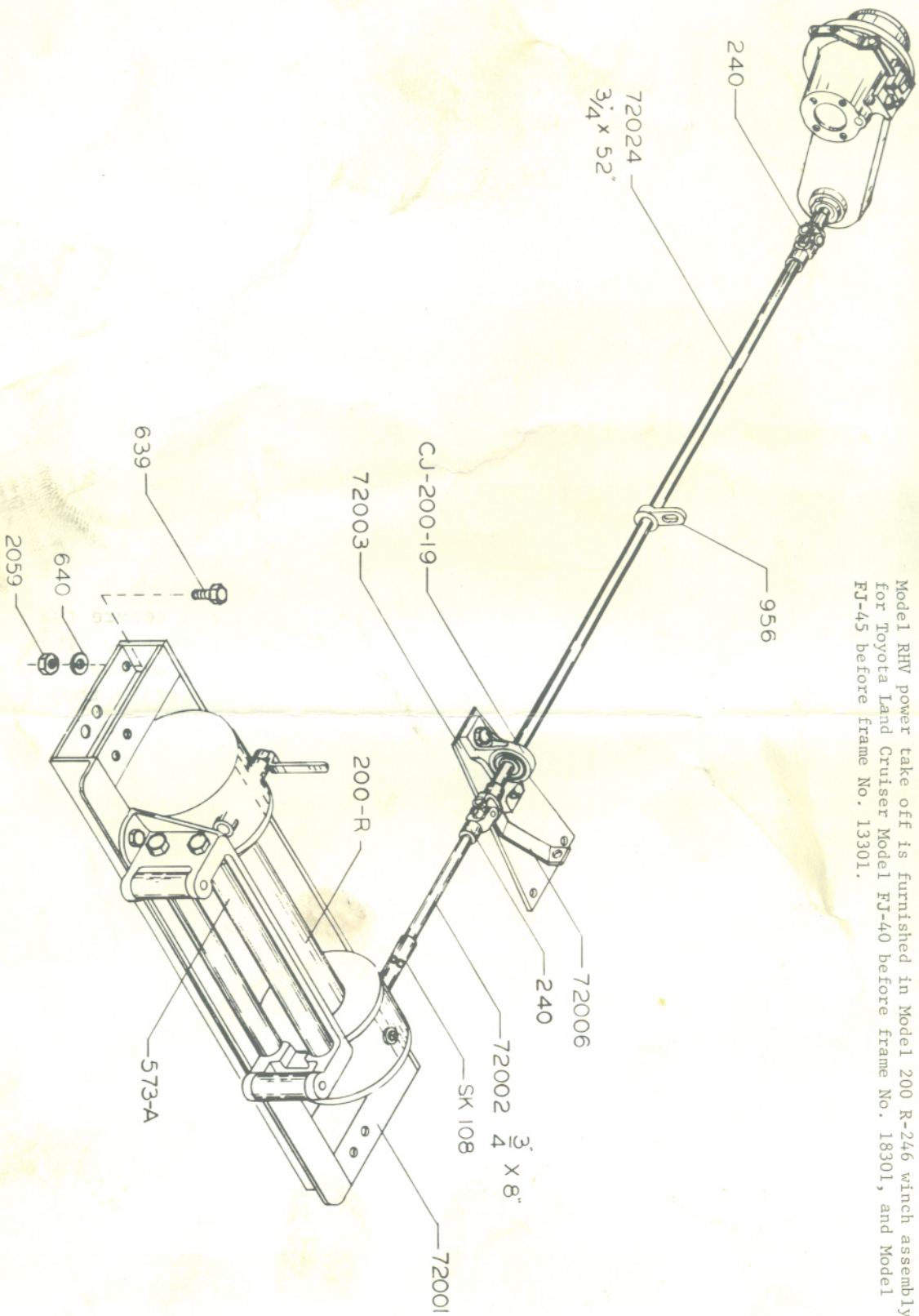
#### DRUM CAPACITY

	1/4 in.	5/16 in.
Maximum Cable Capacity	375 ft.	270 ft.
Recommended Length of Cable	250 ft.	180 ft.

#### SHIPPING WT. (APPROX.)

	Winch Only	Complete Shipping Wt.
200R-297	87 lbs.	182 lbs.
200R-246	87 lbs.	185 lbs.





Model RHV-1 power take off is furnished in Model 200 R-297 winch assembly  
 for Toyota Land Cruiser Model FJ-40 after frame No. 18301, and Model FJ-45  
 after frame No. 13301.  
 Model RHV power take off is furnished in Model 200 R-246 winch assembly  
 for Toyota Land Cruiser Model FJ-40 before frame No. 18301, and Model  
 FJ-45 before frame No. 13301.

# Ramsey Winch Co.

# Ramsey Winch Co.

5531 EAST ADMIRAL PLACE • PHONE TEMPLE 5-1521  
BOX 15829, ADMIRAL STATION • TULSA, OKLAHOMA

## OPERATION AND MAINTENANCE INSTRUCTIONS

### RAMSEY WINCHES FOR TOYOTA LAND CRUISER

1. Throw out drive to back wheels. Start engine, disengage clutch, and move power take off lever to "in" position. Place gear shift lever in reverse, and engage clutch to back off winch cable about a foot. Shift power take off lever to " out " position.
2. Shift clutch on winch to "out" position which will free spool drum and allow cable to be unwound by hand. Secure hook to the object to be pulled, and then shift clutch on winch to "in" position. Always shift clutch all the way in or out to avoid damage to the jaws.
3. Get back in the cab and start engine, then shift power take off lever to "in" position with clutch disengaged. With clutch disengaged, shift gear shift lever to low, second, or high, as desired, or reverse. The winch can be operated with the wheels disengaged, if desired.
4. When winching operation is completed, wind cable on drum and secure the hook on the end of the bumper, or on the under side of the bumper. Then tighten the cable carefully under power and leave the clutch on the winch engaged to prevent the cable from unwinding while operating the vehicle on the highway.
5. Greater power can be obtained by use of a snatch block so that a double line is used.

### MAINTENANCE:

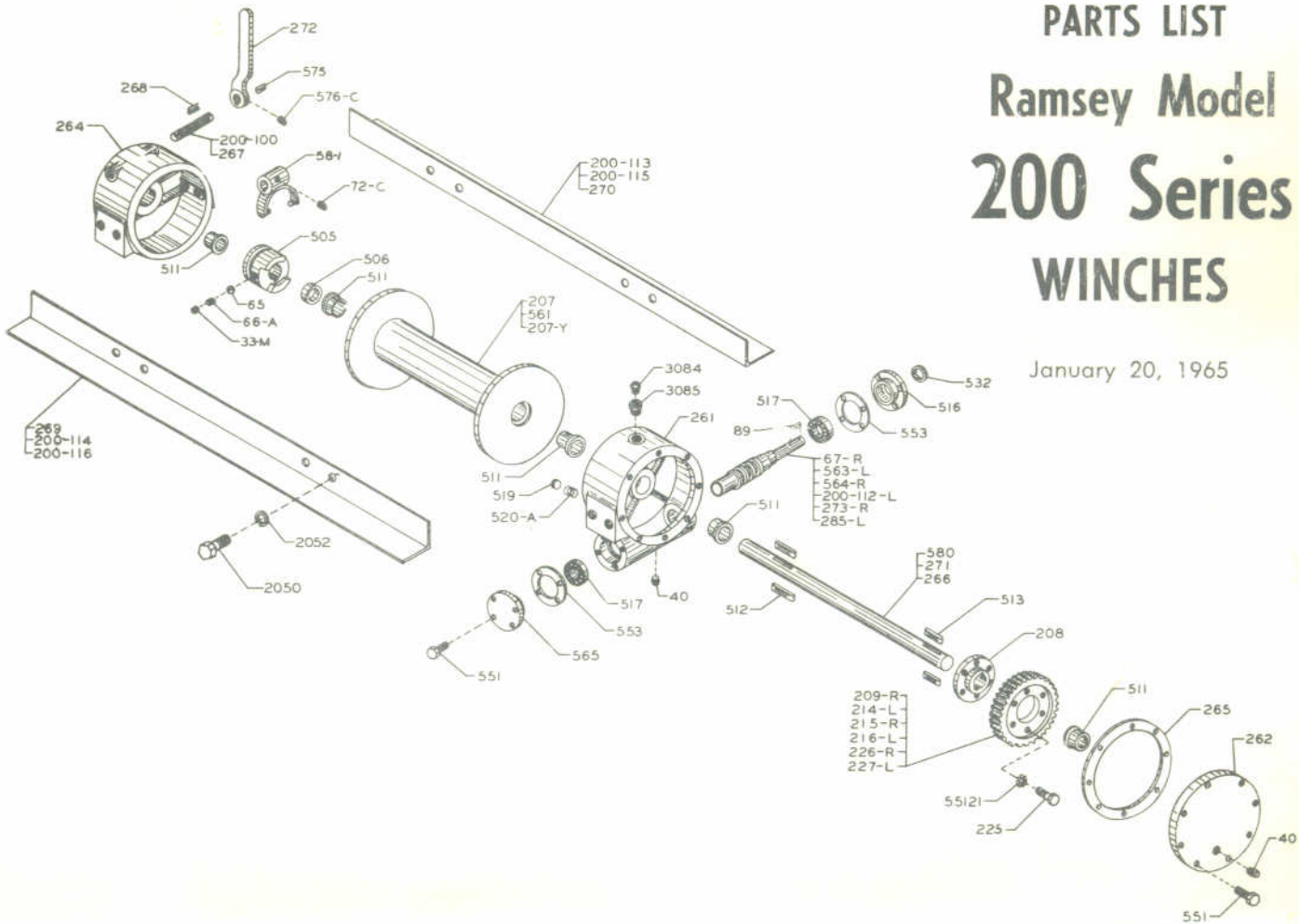
1. The gear housing of the winch should be kept filled to the level of the SIDE PLUG with SAE #140 or #90 all purpose gear oil. This is an oil used in transmissions. The gear housing should never be filled completely full of oil, and no grease of any type should be used in the gear housing. The chain case on the power take off should be filled with the same oil to the level of the plug. Oil in gear housing and chain case should be changed each six months.
2. Lubricate grease fittings on clutch housing of winch, and on universal joints, each time the vehicle is greased.
3. Cable can be greased to prevent rust but it is rather dirty to work with when greased. Other types of rust preventatives may be obtained from industrial supply houses that are cleaner.



# PARTS LIST

## Ramsey Model 200 Series WINCHES

January 20, 1965



Effective with winch serial 29,000. \*See note below on winches prior to this serial number.

NO. REQ'D	PART NO.	DESCRIPTION	NO. REQ'D	PART NO.	DESCRIPTION	NO. REQ'D	PART NO.	DESCRIPTION	NO. REQ'D	PART NO.	DESCRIPTION
1	33-M	Screw	1	209-R	Gear, Model 200 R, X-200 R	1	285-L	Worm, Model 246-L, X-246-L, Y-246-L	8	2050	Screw
2	40	Plug	1	214-L	Gear, Model 200 L X-200 L	1	505	Clutch	8	2052	Washer
1	58-I	Yoke	1	215-R	Gear, Model D-200 R	1	506	Spacer	1	3084	Plug
1	65	Ball	1	216-L	Gear, Model D-200 L	5	511	Bushing	1	3085	Reducer
1	66	Spring	6	225	Screw	2	512	Key	6	55121	Washer
1	67-R	Worm, Model 200 R, X-200 R, Y-200 R	1	226-R	Gear, Model 246-R	2	513	Key			
1	72-C	Screw	1	227-L	Gear, Model 246-L	1	516	Cap			
1	89	Key	1	261	Housing	2	517	Bearing			
1	200-100	Shaft, IHC Scout only	1	262	Cover	2	519	Drag Brake			
1	200-112-L	Worm, Model D-200 L, XD-200-L, YD-200-L	1	264	Clutch Housing	2	519-A	Spring			
1	200-113	Frame, Right Side Model X-200	1	264	Clutch Housing	1	532	Seal			
1	200-114	Frame, Left Side Model X-200	1	265	Gasket	16	551	Screw			
1	200-115	Frame, Right Side Model Y-200	1	266	Shaft, Model 200, 246	2	553	Gasket			
1	200-116	Frame, Left Side Model Y-200	1	267	Shaft	1	561	Drum, Model X-200			
1	207	Drum, Model 200	1	268	Key	1	563-L	Worm, Model 200 L, X-200 L, Y-200 L			
1	207-Y	Drum, Y-200	1	269	Frame, Left Side, Model 200, 246	1	564-R	Worm Model D-200 R, XD-200 R, YD-200-R			
1	208	Hub	1	270	Frame, Right Side, Model 200, 246	1	565	Cap			
			1	271	Shaft, Model X-200	1	575	Key			
			1	272	Lever	1	576-C	Screw			
			1	273-R	Worm, Model 246-R, X-246-R, Y-246-R	1	580	Shaft Model Y-200 YD-200, Y-246			

\*When ordering new bronze gear for winches prior to Serial No. 29,000 order current part number and redrill existing 1/4" NC tapped holes in hub (#514) and tap 5/16" 18NC or order new hub (#208) if desired. New capscrews and washers should be ordered with gear.

Current No.	Description	Obsolete No.
209-R	Gear	508-R
214-L	Gear	559-L
215-R	Gear	560-R
216-L	Gear	299-L
226-R	Gear	274-R
227-L	Gear	286-L
208	Hub	514
225	Screw	578
55121	Washer	55055

# Ramsey Winch Co.

5531 EAST ADMIRAL PLACE • PHONE TEMPLE 5-1521  
BOX 15829, ADMIRAL STATION • TULSA, OKLAHOMA

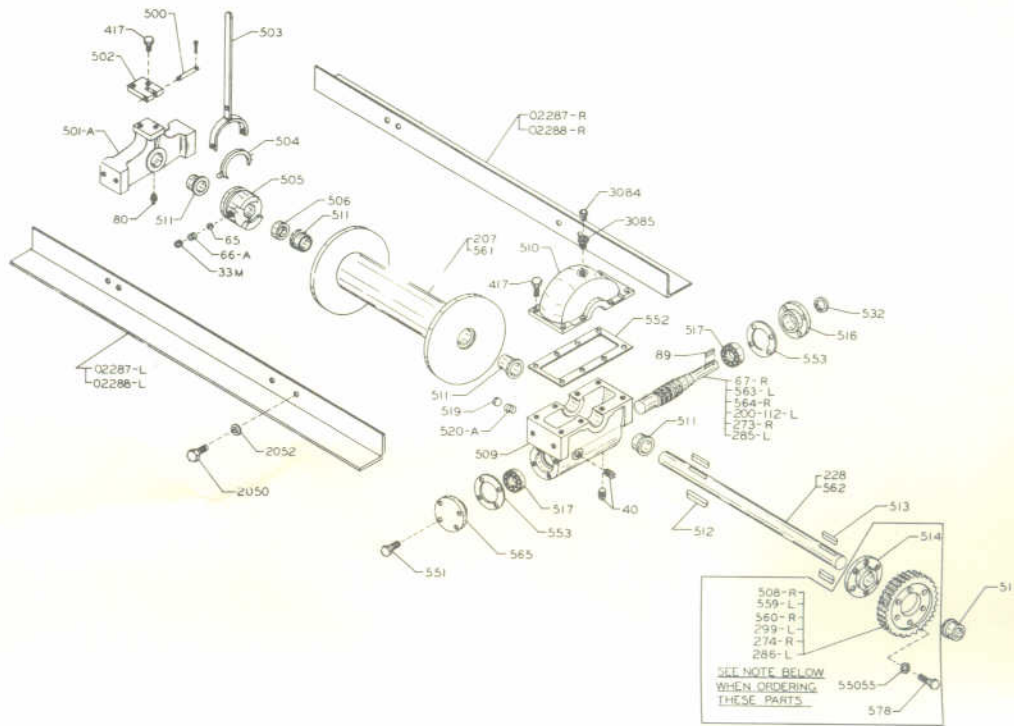
# PARTS LIST

## Ramsey Model

# 200 Series

# WINCHES

February 1, 1965



For winches with Serial No. prior to 15,215

NO. REQ'D	PART NO.	DESCRIPTION	NO. REQ'D	PART NO.	DESCRIPTION	NO. REQ'D	PART NO.	DESCRIPTION	
1	33-M	Screw	10	417	Screw	1	552	Gasket	
2	40	Plug	1	500	Pin	2	553	Gasket	
1	65	Ball	1	501-A	Bracket	1	559-L	Gear, Model 200 L, X-200 L	*When ordering new bronze gear for winches prior to Serial No. 15,215 order current part number and redrill existing 1/4" NC tapped holes in hub (#514) and tap 5/16" 18NC or order new hub (#208) if desired. New capscrews and washers should be ordered with gear.
1	66-A	Spring	1	502	Bracket	1	560-R	Gear, Model D-200 R	
1	67-R	Worm, Model 200 R, X-200 R	1	503	Lever	1	561	Drum, Model X-200	
1	80	Grease Fitting	1	504	Yoke	1	562	Shaft, Model X-200	
1	89	Key	1	505	Clutch	1	563-L	Worm, Model 200 L X-200 L	
1	200-112-L	Worm, Model D-200 L, XD-200 L	1	506	Spacer	1	564-R	Worm, Model D-200 R, XD-200 R	
1	207	Drum, Model 200	1	508-R	Gear, Model 200 R, X-200 R	1	565	Cap	
1	228	Shaft, Model 200, D-200	1	509	Housing	6	578	Screw	
1	273-R	Worm, Model 246-R, X-246 R	5	511	Cover	4	2050	Screw	
1	274-R	Gear, Model 246 R, X-246 R	2	512	Bushing	4	2052	Washer	
1	274-R	Gear, Model 246 R, X-246 R	2	513	Key	4	2052	Washer	
1	285-L	Worm, Model 246 L, X-246 L	1	514	Hub	1	3084	Plug	
1	285-L	Worm, Model 246 L, X-246 L	1	516	Cap	1	3085	Reducer	
1	286-L	Gear, Model 246 L, X-246 L	2	517	Bearing	1	02287-R	Frame, Model 200	
1	286-L	Gear, Model 246 L, X-246 L	1	519	Drag Brake	1	02287-L	Frame, Model 200	
1	299-L	Gear, Model D-200 L	1	520-A	Spring	1	02288-R	Frame, Model X-200	
1	299-L	Gear, Model D-200 L	1	532	Seal	1	02288-L	Frame, Model X-200	
1	299-L	Gear, Model D-200 L	8	551	Screw	6	55055	Washer	

Obsolete No.	Description	Current No.
508-R	Gear	209-R
559-L	Gear	214-L
560-R	Gear	215-R
299-L	Gear	216-L
274-R	Gear	226-R
286-L	Gear	227-L
514	Hub	208
578	Screw	225
55055	Washer	55121

# Ramsey Winch Co.

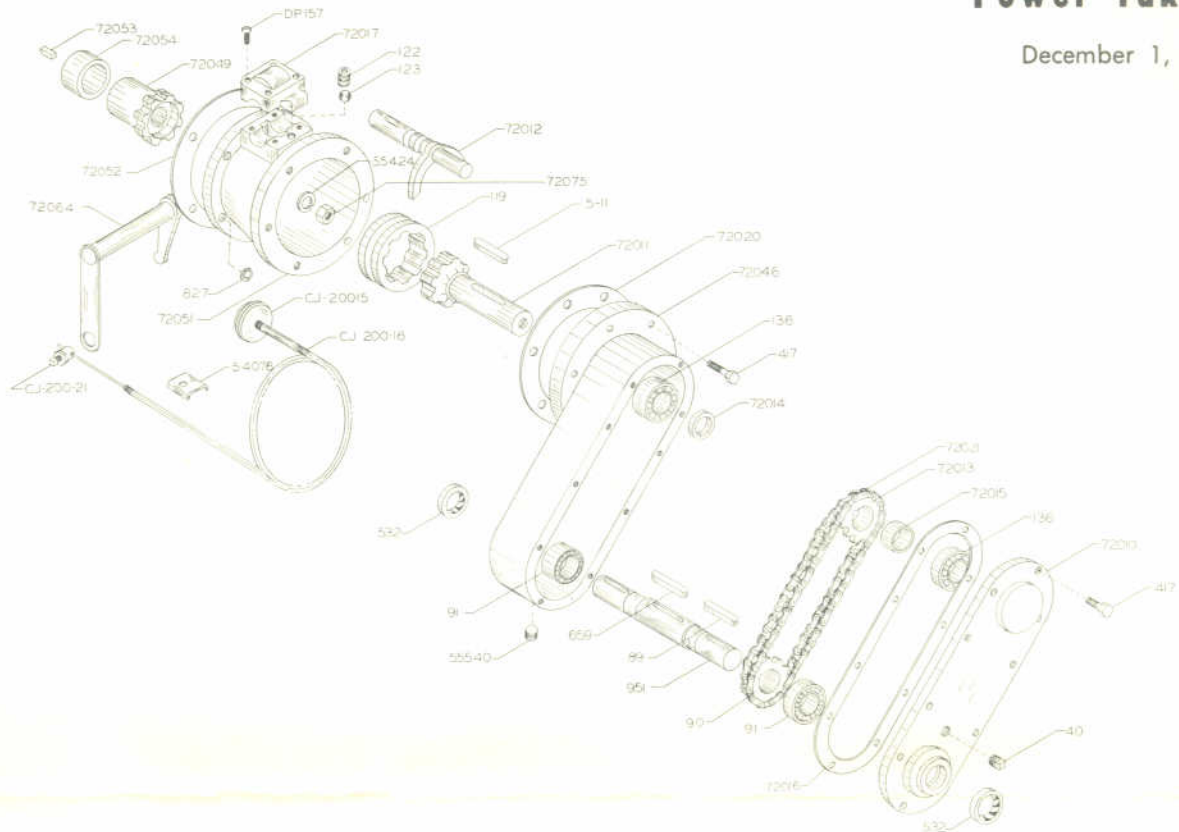
5531 EAST ADMIRAL PLACE • PHONE TEMPLE 5-1521  
 BOX 15829, ADMIRAL STATION • TULSA, OKLAHOMA



# PARTS LIST

## Ramsey Model RHV-1 Power Take Off

December 1, 1965



This parts list is for RHV-1 power take off used on Toyota Land Cruiser FJ-40 after frame No. 18301 and FJ-45 after frame No. 13301.

Parts list on back of this page is for RHV power take off used on Toyota Land Cruiser FJ-RP before frame No. 18301 and FJ-45 before frame No. 13301.

NO. REQ'D	PART NO.	DESCRIPTION	NO. REQ'D	PART NO.	DESCRIPTION	NO. REQ'D	PART NO.	DESCRIPTION
1	5-11	Key	2	532	Seal	1	72016	Gasket
1	40	Plug	1	659	Key	1	72017	Cap
2	89	Key	5	827	Washer	1	72020	Gasket
1	90	Sprocket	1	951	Shaft	1	72021	Chain
2	91	Bearing	1	54076	Bracket	1	72046	Housing
1	119	Gear	1	55424	Washer	1	72049	Adapter
1	122	Spring	1	55540	Plug	1	72051	Bell Housing
1	123	Ball	1	72010	Cover	1	72052	Gasket
2	136	Bearing	1	72011	Gear	1	72053	Key
4	DP-157	Screw	1	72012	Yoke Assembly	1	72054	Spacer
1	CJ200-15	Knob	1	72013	Sprocket	1	72064	Shifter Assembly
1	CJ200-16	Cable Control	1	72014	Spacer	1	72075	Nut
1	CJ200-21	Pivot Pin	1	72015	Spacer			
15	417	Screw						

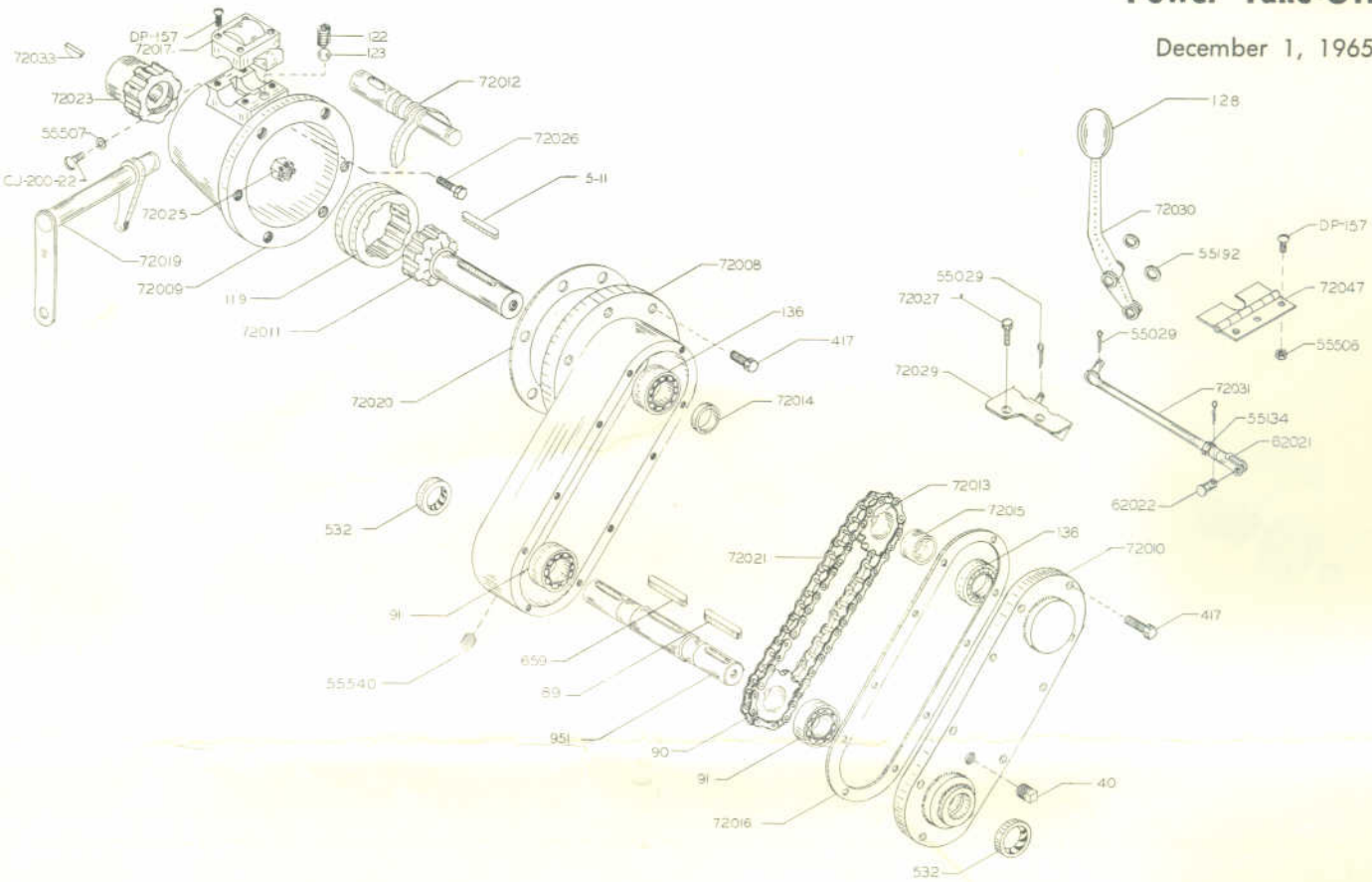
*Ramsey Winch Co.*

5531 EAST ADMIRAL PLACE • PHONE TEMPLE 5-1521  
BOX 15829, ADMIRAL STATION • TULSA, OKLAHOMA

# PARTS LIST

## Ramsey Model RHV Power Take-Off

December 1, 1965



NO. REQ'D	PART NO.	DESCRIPTION	NO. REQ'D	PART NO.	DESCRIPTION	NO. REQ'D	PART NO.	DESCRIPTION
1	5-11	Key	1	951	Shaft	1	72015	Spacer
1	40	Plug	3	55029	Cotter Pin	1	72016	Gasket
2	89	Key	1	55134	Nut	1	72017	Cap
1	90	Sprocket	2	55192	Washer	1	72019	Shifter Assy.
2	91	Bearing	3	55506	Nut	1	72020	Gasket
1	119	Gear	1	55507	Washer	1	72021	Chain
1	122	Spring	1	55540	Plug	1	72023	Adapter
1	123	Ball	1	62021	Clevis	1	72025	Nut
1	128	Knob	1	62022	Pin	4	72026	Screw
2	136	Bearing	1	72008	Housing	2	72027	Screw
7	DP-157	Screw	1	72009	Adapter	1	72029	Bracket
1	CJ200-22	Screw	1	72010	Cover	1	72030	Lever
16	417	Screw	1	72011	Gear	1	72031	Link
2	532	Seal	1	72012	Yoke	1	72033	Key
1	659	Key	1	72013	Sprocket	1	72047	Latch
			1	72014	Spacer			

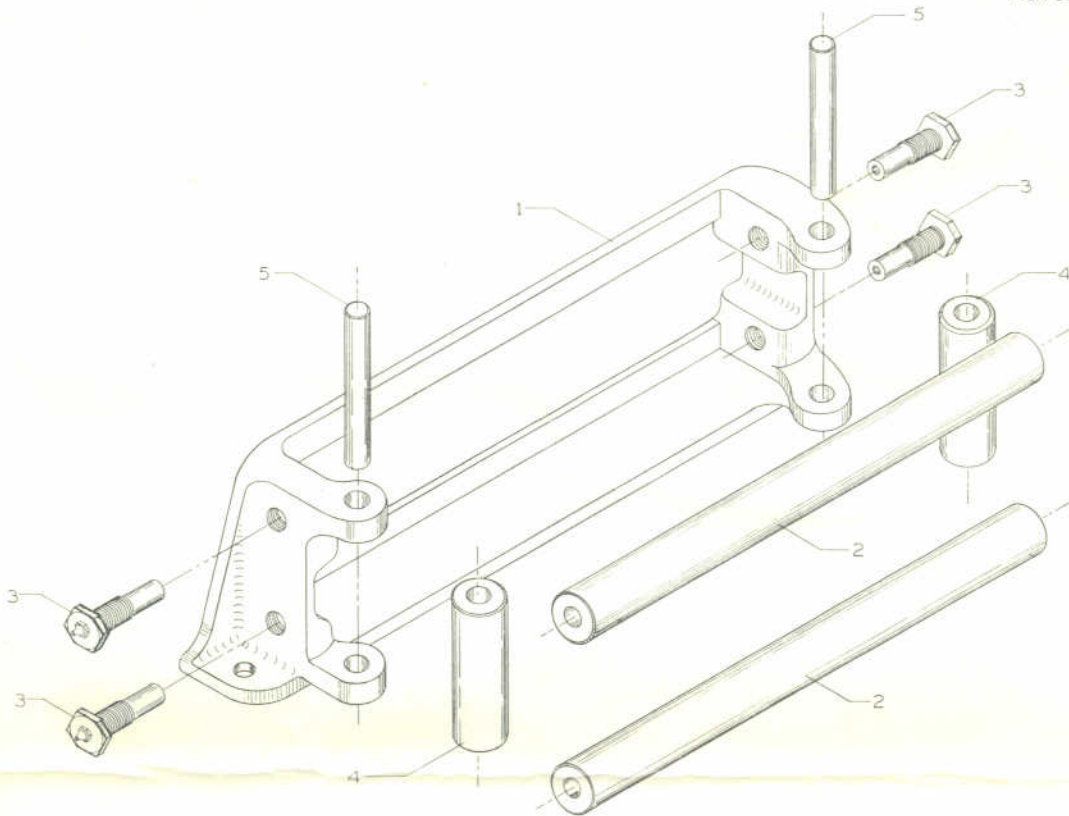
*Ramsey Winch Co.*

5531 EAST ADMIRAL PLACE • PHONE TEMPLE 5-1521  
BOX 15829, ADMIRAL STATION • TULSA, OKLAHOMA

# PARTS LIST

## 4-Way Roller Assembly

November 25, 1963



ROLLER ASSEMBLY MODEL NUMBER			573-A	291-A	450-A	676-A	697-A
FOR WINCH MODEL			200 246 D-200 400	X-200	Y-400 Y-600	400 600 700	X-600 800
	ITEM NO.	NO. REQ'D	PART NO.	PART NO.	PART NO.	PART NO.	PART NO.
	1	1	574	291	450	676	697
	2	2	574-1	291-1	450-1	676-1	697-1
	3	4	574-2	574-2	450-3	450-3	450-3
	4	2	574-3	574-3	450-2	676-2	697-2
	5	2	574-5	574-5	450-5	676-5	697-4

# Ramsey Winch Co.

5531 EAST ADMIRAL PLACE • PHONE: Area Code 918, TEmple 5-1521  
 BOX 15829 • TULSA, OKLAHOMA